

TelosTM

DATASHEET | 6 PRO

Product Lifespan

With an L80 of 85,000 hours, performance is guaranteed for up to ten years of continuous use.

Upgradeable Modular Design

The entire unit has been designed to enable the LED boards to be upgraded as technology advances. The Pro version incorporates the latest generation of OSRAM LEDs.



Wide Angle Light Spread

The secondary optics designed by our in house experts provide a 87.6 degrees beam angle which distributes a highly uniform coverage of light.

Highly Waterproof

This product has been tested to withstand high pressure jets, as well as being ingress protected from dust and other particles.

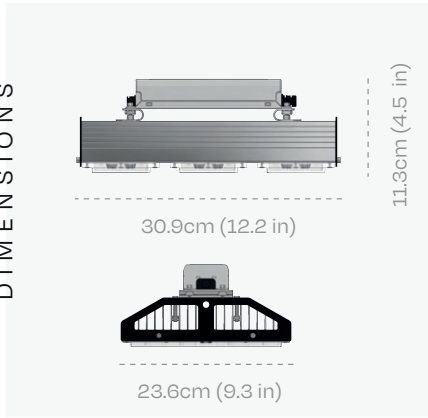
Safety

Providing peace of mind - certified with an Extra Safe Low Voltage.

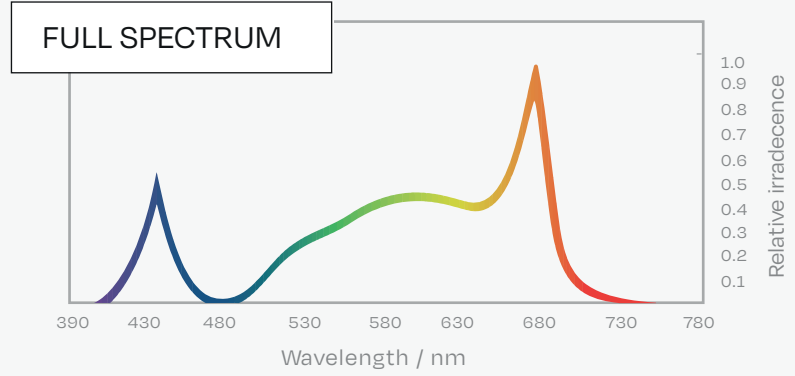
TELOSTM 6 PRO [Slimline]

The latest version of a tried and tested, modern and efficient LED grow system. Now featuring a slimmer, lightweight design and high output OSRAM LEDs. Suitable for top-down growing applications, commercial greenhouses, and harsh environments such as advanced medical facilities. The use of passive natural convection has eliminated the need for a fan, reducing noise output and significantly increasing the life span of the light as it contains no moving parts.

DIMENSIONS



SPECTRUM

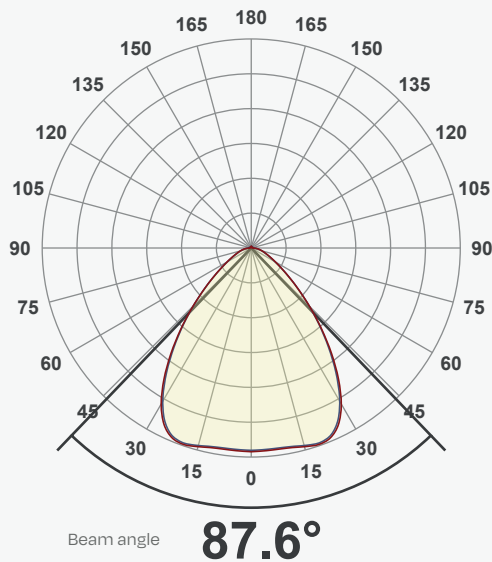


SPECIFICATION

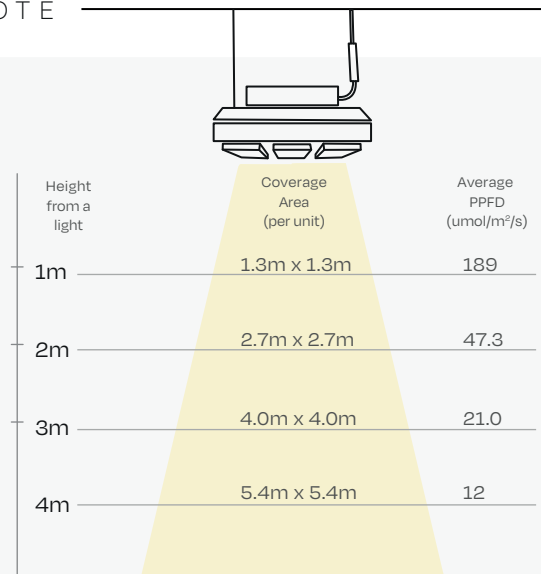
LIGHT OUTPUT PPF (umoles)	420
CALCULATED EFFICACY (380 nm ~ 820 nm) (umoles/Joule)	2.4
TESTED AT (380 nm ~ 820 nm) (umoles/Joule)	2.42
COLOUR RENDERING INDEX (CRI)	86.9
LUMINAIRE COLOUR TEMPERATURE (KELVIN)	3160
BEAM ANGLE	87.6 degrees
LIGHT OUTPUT DEPRECIATION	85,000 L90
<hr/>	
POWER INPUT	175W
POWER INPUT RANGE	17.5 ~ 215W (Dimmable driver)
VOLTAGE INPUT RANGE	90 ~ 305VAC (Autosensing)
FREQUENCY INPUT RANGE	47 ~ 63Hz
INPUT CURRENT	.76A / 230VAC
MAX NUMBER OF TELOS SYSTEMS LINKED (POWER)	10
POWER CABLES & CONNECTIONS	UK or EU plug to waterproof Weiland interface with Telos system (supplied as standard).
<hr/>	
SYSTEM WEIGHT (LAMP AND DRIVER)	4.5kg
DIMENSIONS (L X W X H)	309mm, 236mm, 113mm
INGRESS PROTECTION	IP66
COOLING METHOD	Passive / Natural
NOMINAL OPERATING TEMPERATURE RANGE	0 - 40 °C
<hr/>	
PHOTOBIOLOGICAL SAFETY	EN62471:2009 - Risk group: 1
CERTIFICATIONS	CE marked, RoHS compliance, EMC and EMI certified
WARRANTY	3 Years (limited). See the Telos warranty statement.
DATA TOLERANCE	+/- 5% on all flux and power measurements

APPLICATION NOTE

LIGHT DISTRIBUTION



HANGING GUIDELINES



To build PPFD levels, multiple lights should be utilised and arranged in a layered set up. Contact the Telos team for more information.