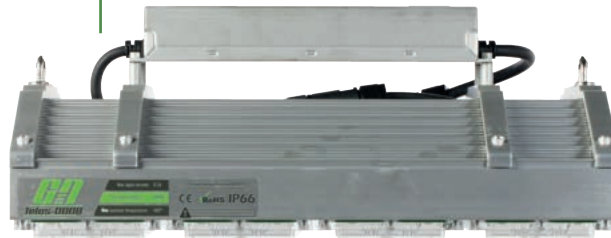


MARKET- LEADING PRODUCT LIFESPAN

Capable of providing 100% light for up to 85,000 hours continuous use (almost 10 years).

UPGRADEABLE MODULAR DESIGN

The entire unit has been designed to enable LEDs to be upgraded as technology changes.



WIDE ANGLE LIGHT SPREAD

The optics designed by our in house experts give a 91.6 degrees beam angle and provide an even distribution of light.

SAFETY

Giving you piece of mind - certified with a Safe Extra Low Voltage.

HIGHLY WATERPROOF

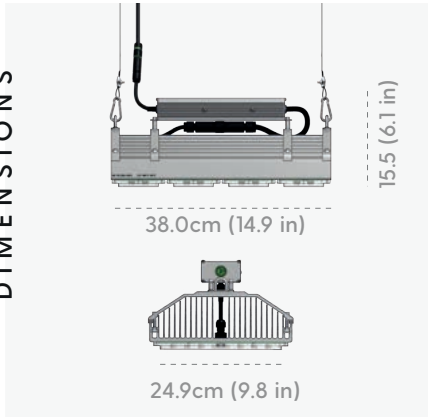
This product has been tested to withstand high pressure jets, as well as being protected from dust and other particles.

TELOS™ 0008

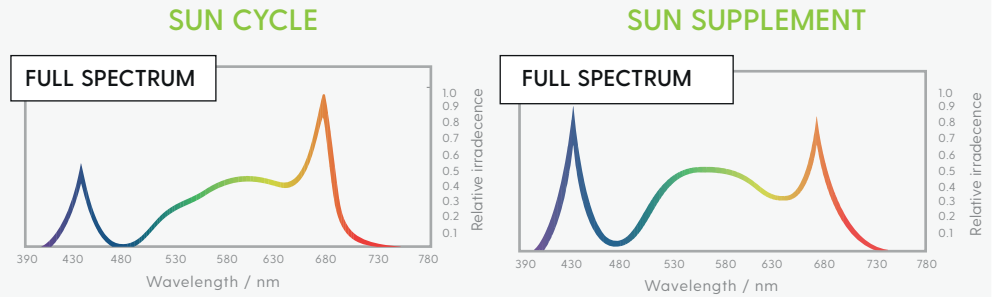
A tried, tested, modern and efficient LED grow light. Suitable for top-down growing applications, commercial greenhouses, and harsh environments such as advanced medical facilities. The use of passive natural convection has eliminated the need for a fan, reducing noise output and significantly increasing the life span of the light as it contains no moving parts. Lights are provided with an easy-to-use versatile hanging system. This includes PVC wire rope with stainless-steel clamps and carabiners to secure the light in the grow area using the eyelets on the main body of the unit.

The Telos ethos is to design and manufacture the most efficient, reliable and robust grow lights available on the market.

DIMENSIONS



SPECTRUM VARIANTS

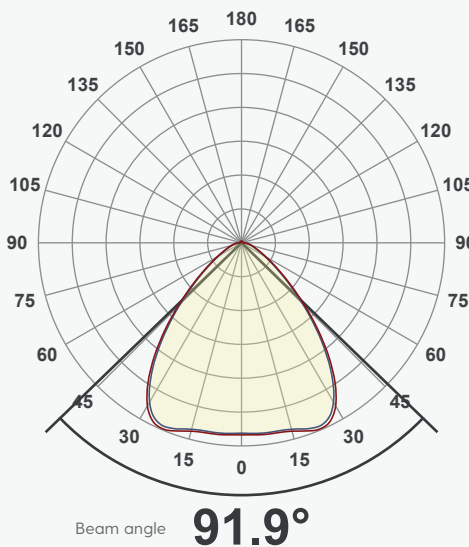


SPECIFICATION

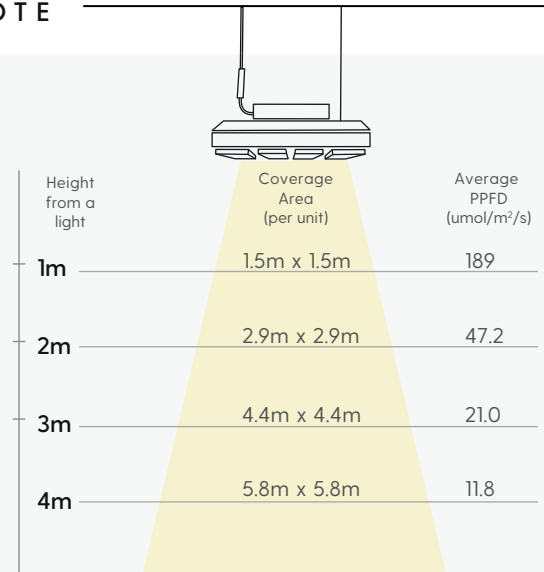
LIGHT OUTPUT PPF (umoles)	473	473
CALCULATED EFFICACY (380 nm - 820 nm) (umoles/Joule)	2.0	2.0
TESTED AT (380 nm - 820 nm) (umoles/Joule)	1.95	1.95
COLOUR RENDERING INDEX (CRI)	83.7	
LUMINAIRE COLOUR TEMPERATURE (KELVIN)	3158	
BEAM ANGLE	91.6 degrees	
LIGHT OUTPUT DEPRECIATION	85,000 L90	
<hr/>		
POWER INPUT	242W	
POWER INPUT RANGE	235-250W (Non-dimmable driver)	
VOLTAGE INPUT RANGE	90 - 305VAC (Autosensing)	
FREQUENCY INPUT RANGE	47 - 63Hz	
INPUT CURRENT	1.04A / 230VAC	
MAX NUMBER OF TELOS SYSTEMS LINKED (POWER)	8	
POWER CABLES & CONNECTIONS	UK or EU plug to waterproof Weiland interface with Telos system (supplied as standard). Weiland to Pig Tails optional.	
<hr/>		
SYSTEM WEIGHT (LAMP AND DRIVER)	8kg	
DIMENSIONS (L X W X H)	380mm, 249mm, 155mm	
INGRESS PROTECTION	IP66	
COOLING METHOD	Passive / Natural	
NOMINAL OPERATING TEMPERATURE RANGE	0 - 40°C	
<hr/>		
PHOTOBIOLOGICAL SAFETY	EN62471:2009 - Risk group: 2	
CERTIFICATIONS	CE marked, RoHS compliance, EMC and EMI certified	
WARRANTY	3 Years (limited). See the Telos warranty statement.	
DATA TOLERANCE	+/- 5% on all flux and power measurements	

APPLICATION NOTE

LIGHT DISTRIBUTION



HANGING GUIDELINES



To build PPFD levels, multiple lights should be utilised and arranged in a layered set up. Contact the Telos team for more information.